

# PS-10 Power Supply

## USER MANUAL

SGC catalog number: 53-21

MARCH 1999



**PS-10 Power Supply**

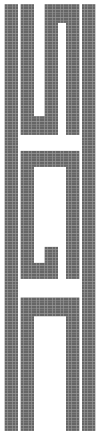


**PS-10 with SG-2020**

# SGC

*“No Compromise Communications”*





## SGC — The SSB People

SGC develops, manufactures, and sells high performance single sideband (SSB) communications equipment. Since 1971, the company has sold to the marine, military, aviation, and industrial markets world wide. Over these years, SGC has earned an outstanding reputation for product reliability and for service after sale.

The company keeps pace with equipment options, engineering developments, and design requirements. Its products are the most competitive in the entire long distance communication market. SGC equipment is presently being used by the United Nations for inter-communications in developing countries throughout the world. Many competitive racing vessels, as well as fishing boats, tugs, and commercial craft are equipped with SGC equipment. In fact, an SGC radiotelephone provided the only communications available on a past Polar expedition by the National Geographic Society.

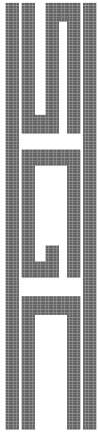
SGC also supplies U.S. government agencies, several foreign governmental agencies, and major petroleum companies through Asia and latin America.

All SGC equipment is designed and manufactured in the USA. SGC has qualified people ready to provide technical information, assistance in selecting equipment, and recommendations for any installation.

SGC welcomes your call to discuss your SSB requirements.



SGC 2020 Staff



# CONTENTS

- Description
- Specifications
- Installation
- Conversion to different AC voltages
- Schematic

# DESCRIPTION

The PS-10 is designed to provide a power supply for the SG-2020 radio transceiver.

Figure 1  
Front View

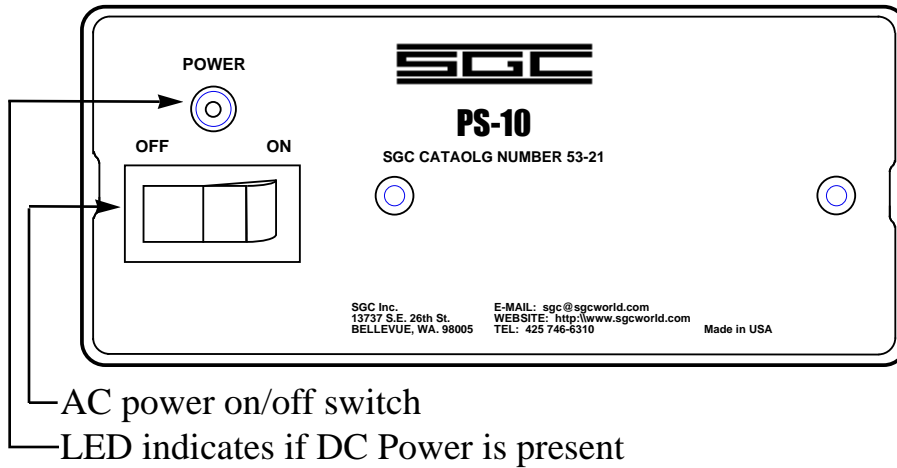
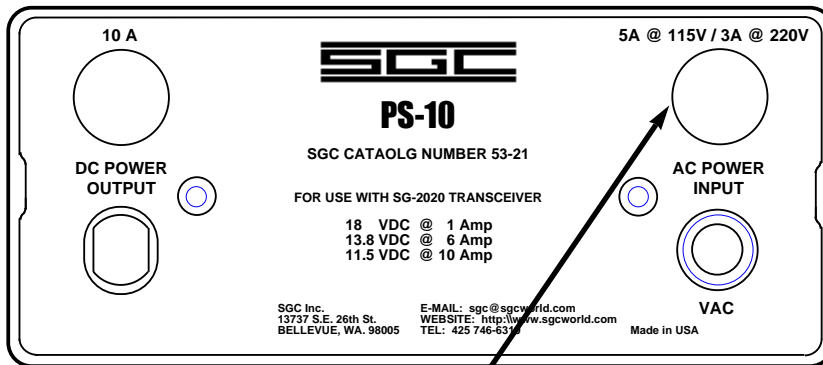
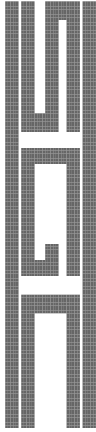


Figure 2  
Rear View



Fuse F1: 5 Amp for 115 VAC  
3 Amp for 220 VAC



## SPECIFICATIONS

- AC in: 115/220 Volts 50/60 Hz
- DC out: 11-18 Volts
- Current out: Maximum 10 Amps
- 1.5 feet of power cord and mating connector for the SG-2020 are provided
- Size: 7.5 in. L. X 6.2 in. W. X 3 in. H.
- Weight: 6 lbs. 6 oz.

## INSTALLATION

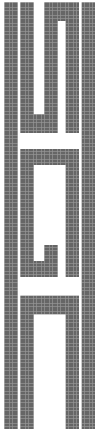
For proper operation and ventilation it is recommended to place the PS-10 and SG-2020 side by side with the power cord as short as possible.

## AC INPUT VOLTAGE CONVERSION

***CAUTION before proceeding make sure the AC power plug is unplugged from the AC source. Serious electrical shock could result if not unplugged.***

The following steps explain and show the power supply conversion for 115 and 220 volts AC inputs.

- Remove the four screws from the bottom of the case and slide the internal sleeve from the case.
- Change the wiring using figures three or four depending on the conversion you are performing.
- Verify the correct fuse is installed in F1, see Figure 2.
- Slide the internal sleeve into the case and install the four screws into the bottom of the case.



Below is pictures showing power supply conversion:  
**From 115 VAC to 220 VAC input.**

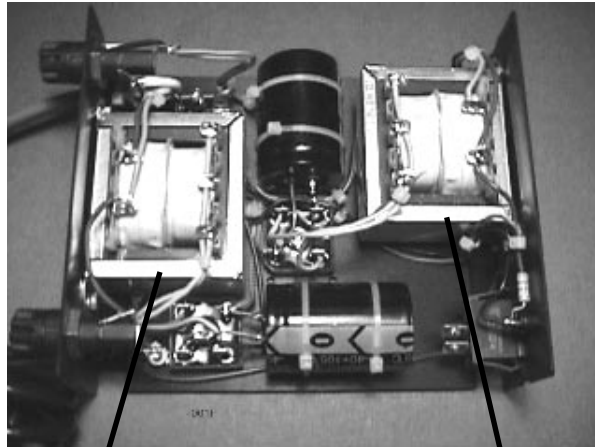


Figure 3

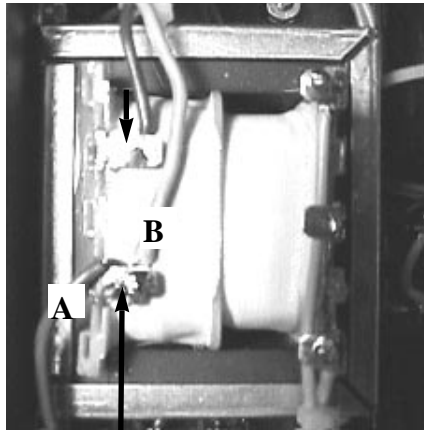


Figure 3a

Move far side blue wire (B) on this terminal to terminal directly across (terminal with brown wire, see short arrow).

**Final wiring should look like Figure 4a.**

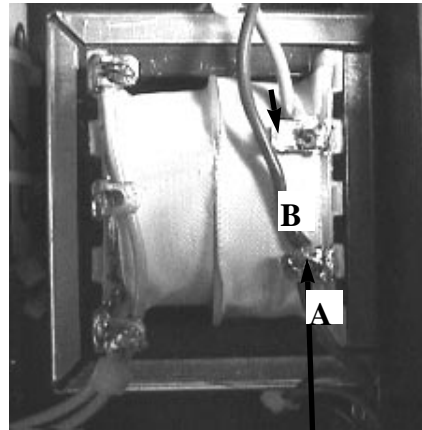
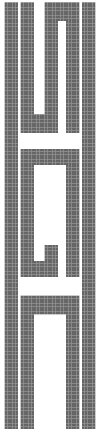


Figure 3b

Move far side brown wire(B) on this terminal to terminal directly across (terminal with blue wire, see short arrow).

**Final wiring should look like Figure 4b.**

**Change Fuse F1 to 3 amps. See Figure 2.**



Below are pictures showing power supply conversion:  
**From 220 VAC to 115 VAC input.**

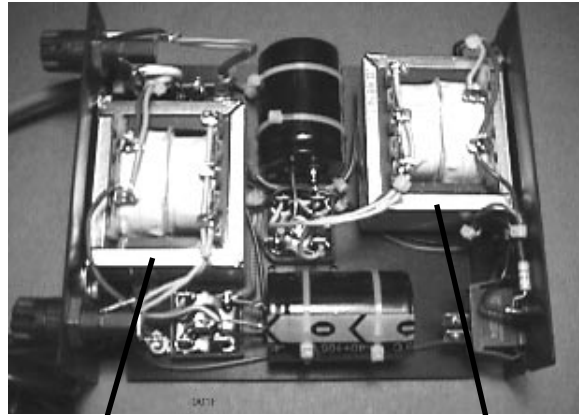


Figure 4

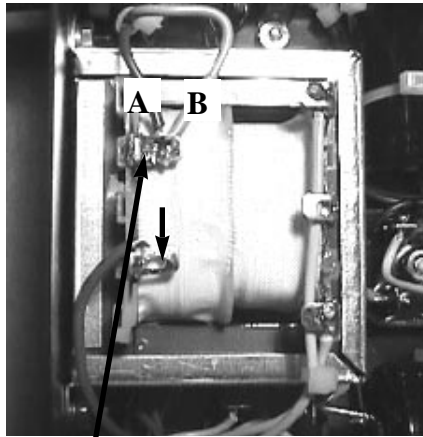


Figure 4a

Move the blue wire (B) on this terminal to terminal directly across (terminal with blue wire, see short arrow ).  
**Final wiring should look like Figure 3a.**

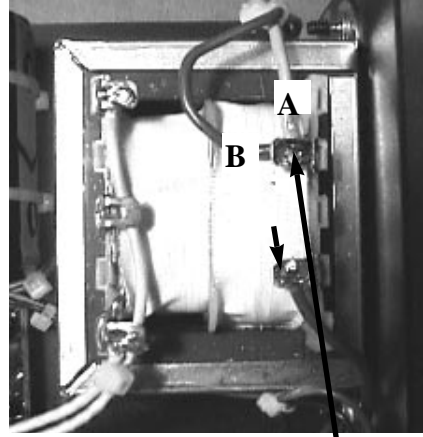
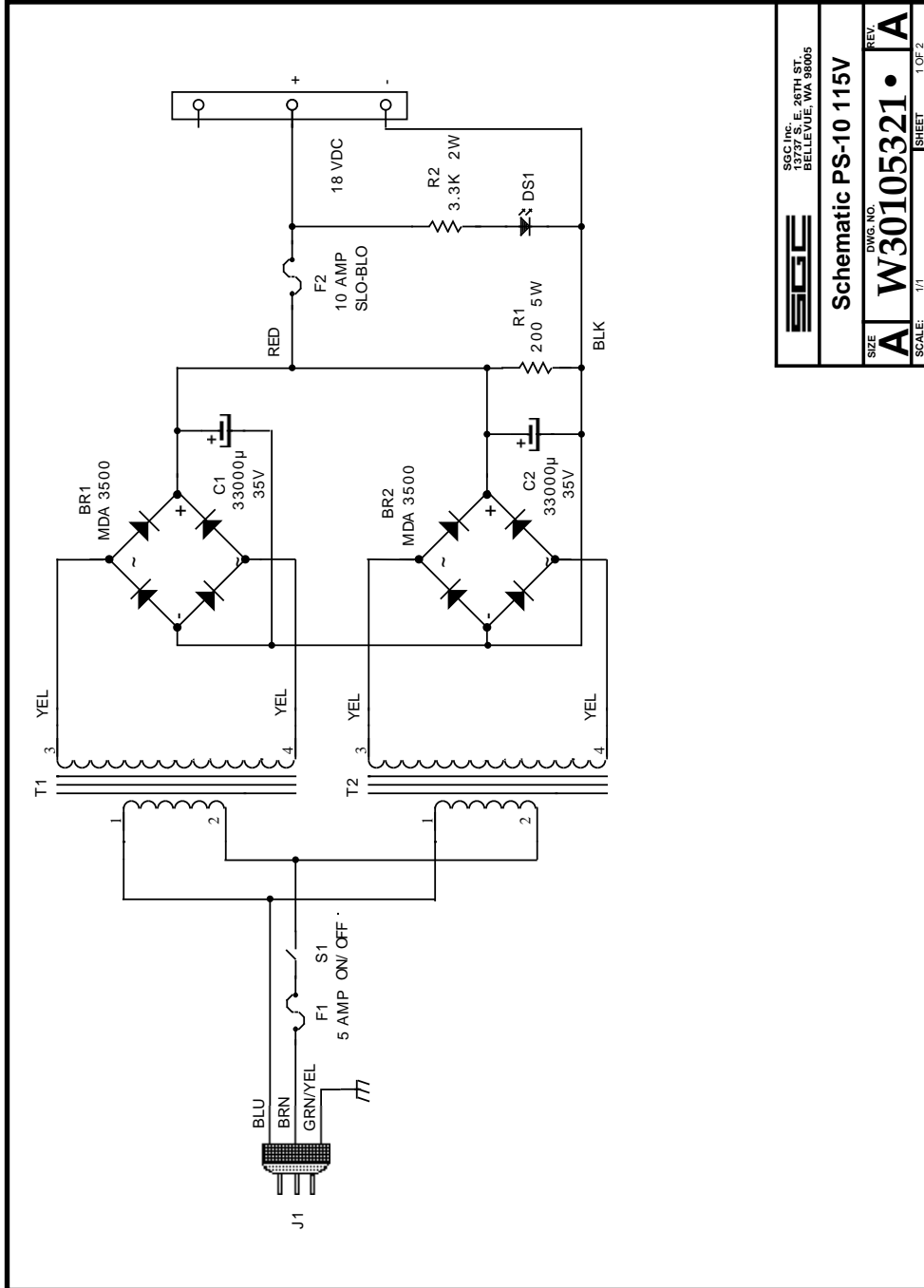
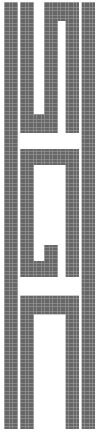


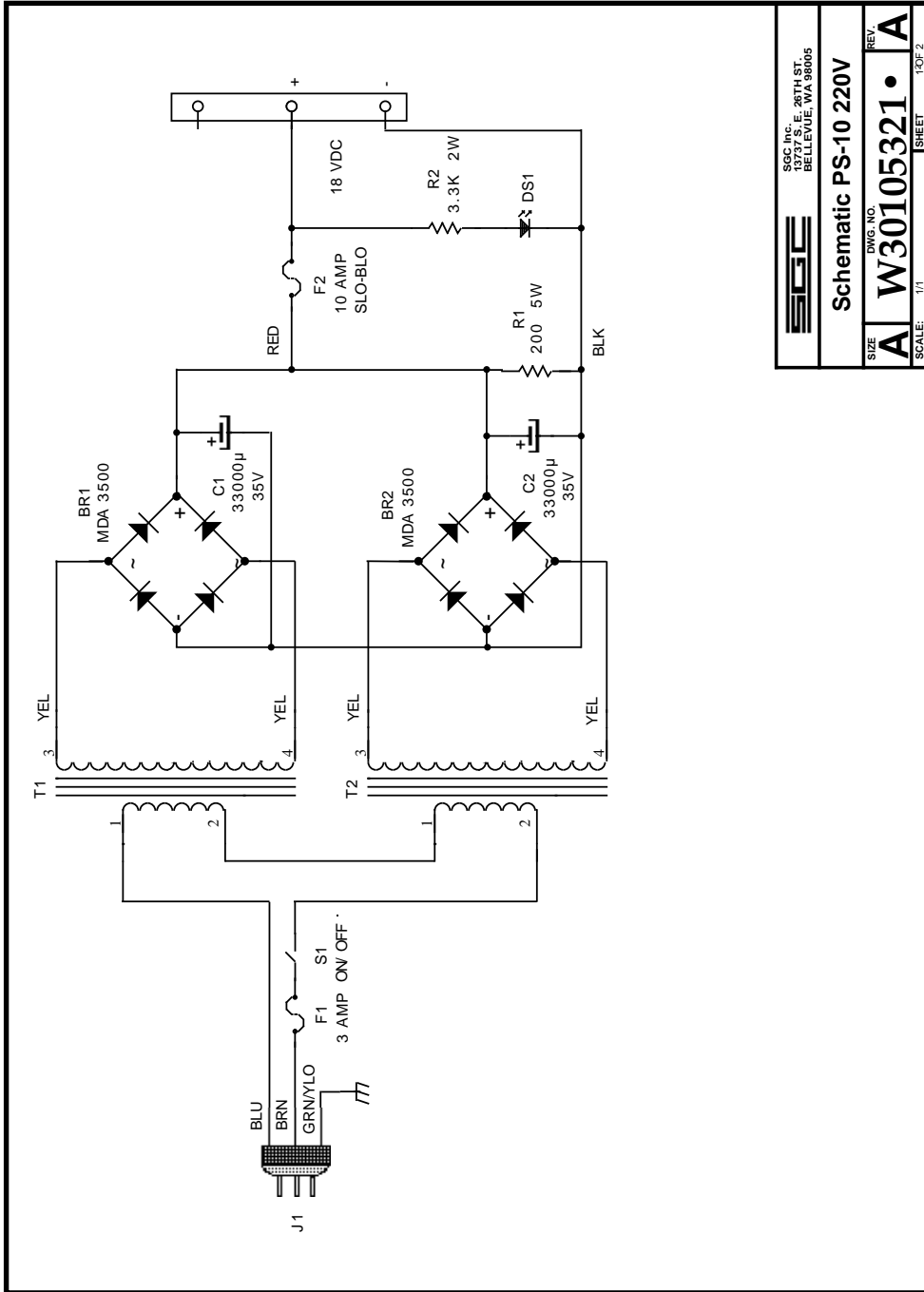
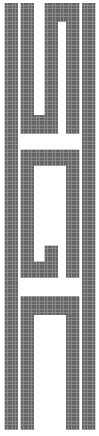
Figure 4b

Move the brown wire(B) on this terminal to terminal directly across (terminal with brown wire, see short arrow).  
**Final wiring should look like Figure 3b.**

**Change Fuse F1 to 5 amps. See Figure 2.**



SGC Inc. SGC Building, 13737 S.E. 26th St. Bellevue, WA 98005	
<b>Schematic PS-10 115V</b>	
SIZE	REV.
<b>A</b>	<b>W30105321 • A</b>
SCALE: 1/1	SHEET 1 OF 2



SGC Inc. 13737 S.E. 26TH ST. BELLEVUE, WA 98005	
<b>Schematic PS-10 220V</b>	
SIZE <b>A</b>	DWG. NO. <b>W30105321</b>
SCALE: 1/1	REV. <b>A</b>
SHEET 1 OF 2	